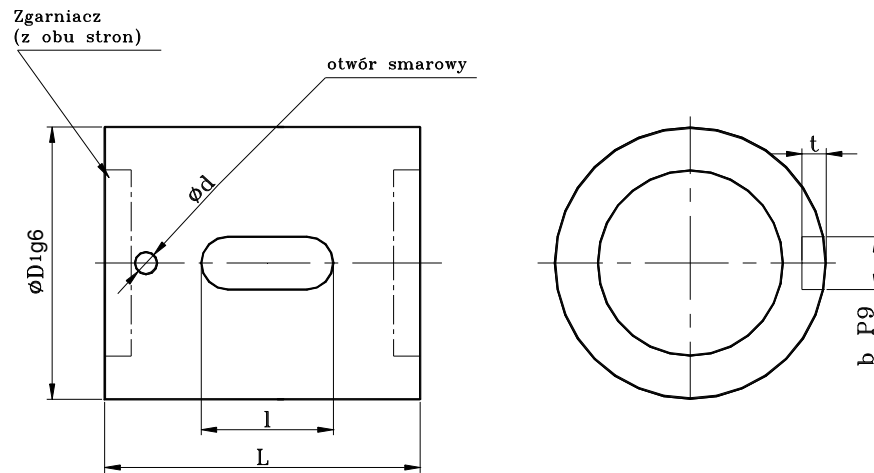


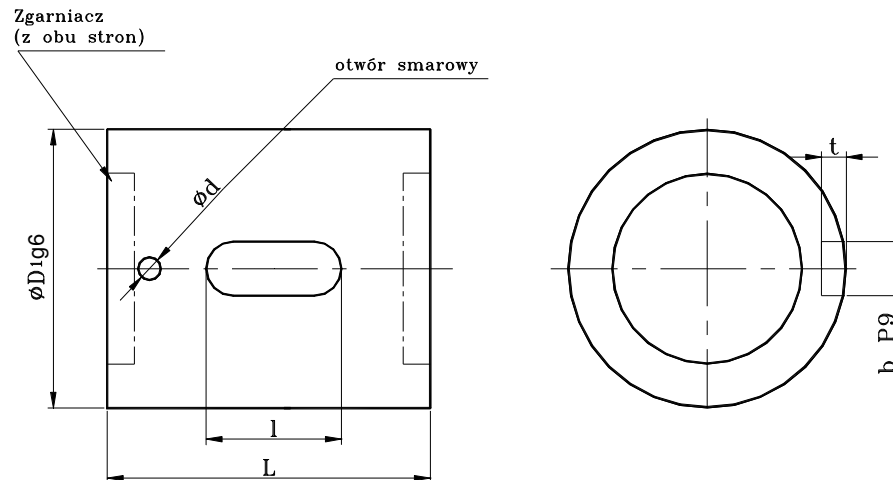
Oznaczenie	Wymiary gwintu		Średnica kulki D_k	Liczba Obiegów	Nośność dynam. C [daN]	Nośność statycz. C_0 [daN]	Max. luz osiowy [mm]
	Średnica podział. d_0	Skok p					
3VNBC1 16x5	16	5	3.175	3	740	1250	0.02
3VNBC1 20x5	20	5	3.175	3	900	1780	
4VNBC1 20x5				4	1140	2390	
3VNBC1 25x5	25	5	3.175	3	1100	2350	
4VNBC1 25x5		4	1290	3200			
3VNBC1 25x6		6	3.969	3	1320	2820	
4VNBC1 25x6		4	1680	3810			
3VNBC1 25x10	10	3.969	3	1650	3260		
3VNBC1 32x5	32	5	3.175	3	1140	3250	
4VNBC1 32x5				4	1470	4240	
6VNBC1 32x5		6	2100	6400			
3VNBC1 32x6		6	3.969	3	1550	3890	
4VNBC1 32x6				4	1950	5800	
6VNBC1 32x6		6	2770	7900			
3VNBC1 32x8		8	5.556	3	1890	4340	
4VNBC1 32x8				4	2380	5680	
3VNBC1 32x10		10	6.35	3	2680	5490	
4VNBC1 32x10				4	3470	7180	
4VNBC1 40x5	40	5	3.175	4	1640	5380	
6VNBC1 40x5		6	2330	8020			
4VNBC1 40x6		6	3.969	4	2170	6670	
6VNBC1 40x6				6	3070	9700	
4VNBC1 40x8		8	5.556	4	2760	7900	
6VNBC1 40x8				6	3990	12600	
3VNBC1 40x10		10	6.35	3	3100	7270	
4VNBC1 40x10				4	3970	9650	
3VNBC1 40x12		12	3	3100	7270		
4VNBC1 50x5		50	5	3.175	4	1780	
6VNBC1 50x5	6				2530	11400	
4VNBC1 50x6	6		3.969	4	2450	8370	
6VNBC1 50x6				6	3480	13100	
4VNBC1 50x8	8		5.556	4	3100	9650	
6VNBC1 50x8				6	4350	14450	



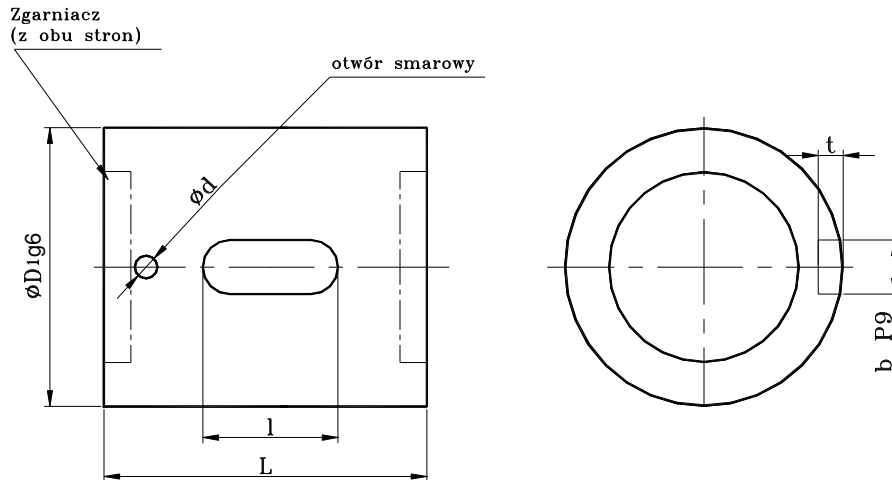
Nakrętka				Oznaczenie
D1	L	d	b * t * l	
36	38	3	4 * 2.5 * 12	3VNBC1 16x5
36	38	3	4 * 2.5 * 12	3VNBC1 20x5
	43			4VNBC1 20x5
40	39	3	4 * 2.5 * 12	3VNBC1 25x5
	44			4VNBC1 25x5
40	44	3	4 * 2.5 * 12	3VNBC1 25x6
	51			4VNBC1 25x6
40	61	3	4 * 2.5 * 12	3VNBC1 25x10
50	40	4	5 * 3 * 12	3VNBC1 32x5
	45			4VNBC1 32x5
	56			6VNBC1 32x5
50	44	4	5 * 3 * 12	3VNBC1 32x6
	51			4VNBC1 32x6
	63			6VNBC1 32x6
50	54	4	5 * 3 * 20	3VNBC1 32x8
	62			4VNBC1 32x8
50	63	4	5 * 3 * 20	3VNBC1 32x10
	74			4VNBC1 32x10
63	47	4	6 * 3.5 * 16	4VNBC1 40x5
	58			6VNBC1 40x5
63	53	4	6 * 3.5 * 16	4VNBC1 40x6
	65			6VNBC1 40x6
63	64	4	6 * 3.5 * 25	4VNBC1 40x8
	81			6VNBC1 40x8
63	65	4	6 * 3.5 * 25	3VNBC1 40x10
	76			4VNBC1 40x10
63	74	4	6 * 3.5 * 25	3VNBC1 40x12
75	47	4	6 * 3.5 * 18	4VNBC1 50x5
	58			6VNBC1 50x5
75	53	4	6 * 3.5 * 18	4VNBC1 50x6
	65			6VNBC1 50x6
75	64	4	6 * 3.5 * 28	4VNBC1 50x8
	81			6VNBC1 50x8

$i = 6$ dla $d_0 \leq 32$; $i = 8$ dla $d_0 > 32$

Typ C1



Oznaczenie	Wymiary gwintu		Średnica kulki D_k	Liczba obiegów	Nośność dynam. C [daN]	Nośność statycz. C_0 [daN]	Max. luz osiowy [mm]
	Średnica podział. d_0	Skok p					
3VNBC1 50x10	50	10	6.35	3	3530	9450	0.02
4VNBC1 50x10				4	4500	13700	
6VNBC1 50x10				6	6400	18800	
3VNBC1 50x12		12	7.938	3	4560	11200	
4VNBC1 50x12				4	5840	15100	
3VNBC1 50x20				20	7.938	3	
4VNBC1 63x6	63	6	3.969	4	2660	10800	
6VNBC1 63x6				6	3770	17000	
4VNBC1 63x8		8	5.556	4	3540	13200	
6VNBC1 63x8				6	4890	19020	
4VNBC1 63x10		10	6.35	4	5070	17900	
6VNBC1 63x10				6	7180	24900	
4VNBC1 63x12		12	7.938	4	6640	20100	
6VNBC1 63x12				6	9490	30600	
3VNBC1 63x20	20	9.525	3	8530	23650		
4VNBC1 80x10	80	10	6.35	4	5740	22200	
6VNBC1 80x10				6	8120	32500	
4VNBC1 80x12		12	7.938	4	7550	26120	
6VNBC1 80x12				6	10700	39200	
3VNBC1 80x16		16	9.525	3	7500	27450	
4VNBC1 80x16				4	12850	42600	
3VNBC1 80x20		20	9.525	3	9800	31900	
4VNBC1 80x20				4	12850	42600	
4VNBC1 100x10	100	10	6.35	4	6800	31300	
6VNBC1 100x10				6	8780	40700	
4VNBC1 100x12		12	7.938	4	8560	40400	
6VNBC1 100x12				6	12000	50600	
4VNBC1 100x16		16	9.525	4	10800	46600	
6VNBC1 100x16				6	15300	69900	
3VNBC1 100x20		20	9.525	3	12020	41100	
4VNBC1 100x20				4	14100	54600	



Nakrętka				Oznaczenie
D1	L	d	b * t * l	
75	65	4	6 * 3.5 * 28	3VNBC1 50x10
	76			4VNBC1 50x10
	97			6VNBC1 50x10
75	74	4	6 * 3.5 * 32	3VNBC1 50x12
	87			4VNBC1 50x12
75	112	4	6 * 3.5 * 32	3VNBC1 50x20
90	53	5	8 * 4 * 28	4VNBC1 63x6
	65			6VNBC1 63x6
90	64	5	8 * 4 * 28	4VNBC1 63x8
	81			6VNBC1 63x8
90	76	5	8 * 4 * 28	4VNBC1 63x10
	97			6VNBC1 63x10
90	87	5	8 * 4 * 32	4VNBC1 63x12
	112			6VNBC1 63x12
95	112	5	8 * 4 * 50	3VNBC1 63x20
105	76	5	10 * 4.5 * 28	4VNBC1 80x10
	97			6VNBC1 80x10
105	87	5	10 * 4.5 * 32	4VNBC1 80x12
	112			6VNBC1 80x12
125	98	5	10 * 4.5 * 40	3VNBC1 80x16
	110			4VNBC1 80x16
125	112	5	10 * 4.5 * 50	3VNBC1 80x20
	133			4VNBC1 80x20
125	76	5	10 * 4.5 * 28	4VNBC1 100x10
	97			6VNBC1 100x10
130	87	5	10 * 4.5 * 32	4VNBC1 100x12
	112			6VNBC1 100x12
140	110	5	10 * 4.5 * 40	4VNBC1 100x16
	144			6VNBC1 100x16
150	112	5	10 * 4.5 * 50	3VNBC1 100x20
	133			4VNBC1 100x20

$i = 6$ dla $d_0 \leq 32$; $i = 8$ dla $d_0 > 32$