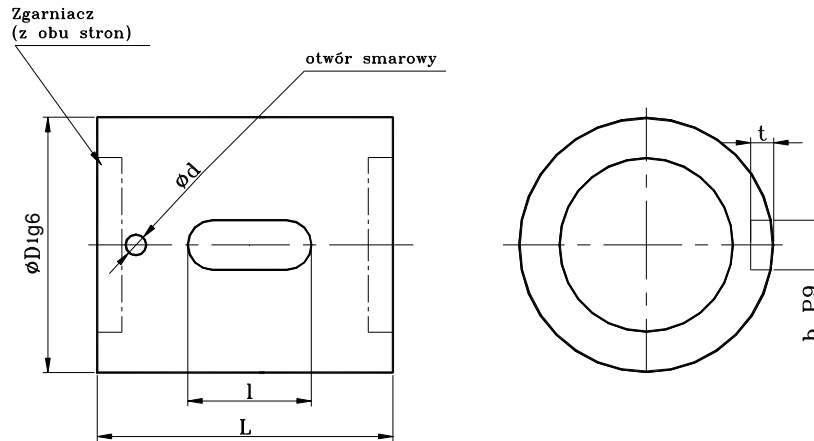


Typ C2

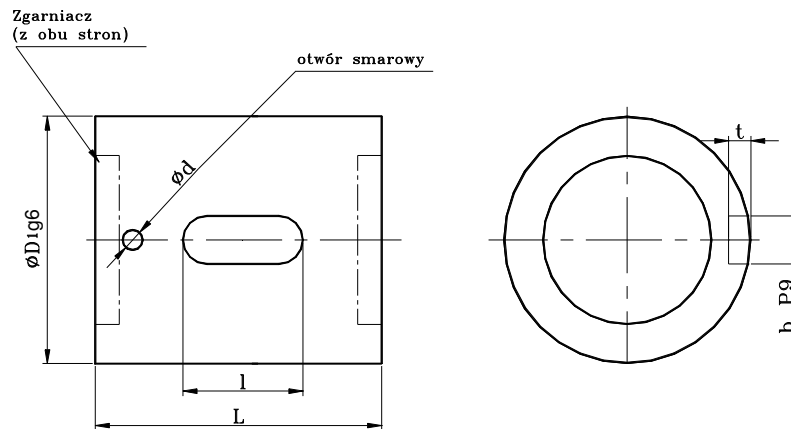
Oznaczenie	Wymiary gwintu		Średnica kulki D_k	Liczba Obiegów	Nośność dynam. C [daN]	Nośność statycz. Co [daN]	Sztywność R [daN/ μ m]
	Średnica podział. d_0	Skok p					
3VNBC2 16x5	16	5	3.175	3	740	1250	11
3VNBC2 20x5	20	5	3.175	3	900	1780	20
4VNBC2 20x5				4	1140	2390	27
3VNBC2 25x5	25	5	3.175	3	1100	2350	28
4VNBC2 25x5				4	1290	3200	37
3VNBC2 25x6		6	3.969	3	1320	2820	28
4VNBC2 25x6				4	1680	3810	37
3VNBC2 25x10	10	3.969	3	1650	3260	25	
3VNBC2 32x5	32	5	3.175	3	1140	3250	33
4VNBC2 32x5				4	1470	4240	42
6VNBC2 32x5				6	2100	6400	63
3VNBC2 32x6		6	3.969	3	1550	3890	33
4VNBC2 32x6				4	1950	5800	43
6VNBC2 32x6				6	2770	7900	65
3VNBC2 32x8		8	5.556	3	1890	4340	35
4VNBC2 32x8				4	2380	5680	47
3VNBC2 32x10		10	6.35	3	2680	5490	35
4VNBC2 32x10				4	3470	7180	48
4VNBC2 40x5	40	5	3.175	4	1640	5380	50
6VNBC2 40x5				6	2330	8020	74
4VNBC2 40x6		6	3.969	4	2170	6670	50
6VNBC2 40x6				6	3070	9700	74
4VNBC2 40x8		8	5.556	4	2760	7900	52
6VNBC2 40x8				6	3990	12600	76
3VNBC2 40x10		10	6.35	3	3100	7270	40
4VNBC2 40x10				4	3970	9650	51
3VNBC2 40x12				12	3	3100	7270
4VNBC2 50x5		50	5	3.175	4	1780	7200
6VNBC2 50x5	6				2530	11400	91
4VNBC2 50x6	6		3.969	4	2450	8370	62
6VNBC2 50x6				6	3480	13100	93
4VNBC2 50x8	8		5.556	4	3100	9650	62
6VNBC2 50x8				6	4350	14450	92



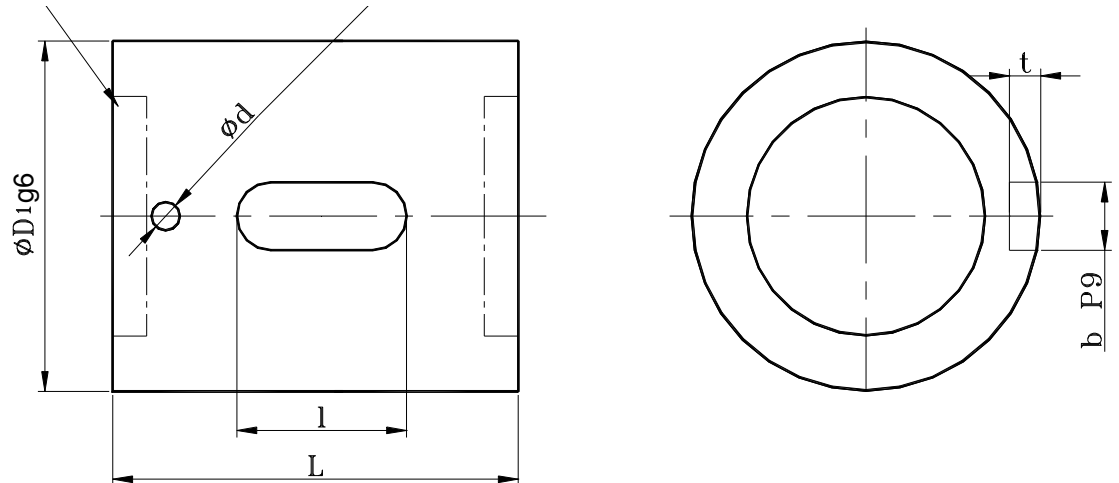
Nakrętka				Oznaczenie
D1	L	d	b * t * l	
36	38	3	4 * 2.5 * 12	3VNBC2 16x5
36	38	3	4 * 2.5 * 12	3VNBC2 20x5
	43			4VNBC2 20x5
40	39	3	4 * 2.5 * 12	3VNBC2 25x5
	44			4VNBC2 25x5
40	44	3	4 * 2.5 * 12	3VNBC2 25x6
	51			4VNBC2 25x6
40	61	3	4 * 2.5 * 12	3VNBC2 25x10
50	40	4	5 * 3 * 12	3VNBC2 32x5
	45			4VNBC2 32x5
	56			6VNBC2 32x5
50	44	4	5 * 3 * 12	3VNBC2 32x6
	51			4VNBC2 32x6
	63			6VNBC2 32x6
50	54	4	5 * 3 * 20	3VNBC2 32x8
	62			4VNBC2 32x8
50	63	4	5 * 3 * 20	3VNBC2 32x10
	74			4VNBC2 32x10
63	47	4	6 * 3.5 * 16	4VNBC2 40x5
	58			6VNBC2 40x5
63	53	4	6 * 3.5 * 16	4VNBC2 40x6
	65			6VNBC2 40x6
63	64	4	6 * 3.5 * 25	4VNBC2 40x8
	81			6VNBC2 40x8
63	65	4	6 * 3.5 * 25	3VNBC2 40x10
	76			4VNBC2 40x10
63	74	4	6 * 3.5 * 25	3VNBC2 40x12
75	47	4	6 * 3.5 * 18	4VNBC2 50x5
	58			6VNBC2 50x5
75	53	4	6 * 3.5 * 18	4VNBC2 50x6
	65			6VNBC2 50x6
75	64	4	6 * 3.5 * 28	4VNBC2 50x8
	81			6VNBC2 50x8

i = 6 dla $d_0 \leq 32$; i = 8 dla $d_0 > 32$

Typ C2



Oznaczenie	Wymiary gwintu		Średnica kulki D_k	Liczba obiegów	Nośność dynam. C [daN]	Nośność statycz. Co [daN]	Szttywność R [daN/ μ m]
	Średnica podział. d_0	Skok p					
3VNBC2 50x10	50	10	6.35	3	3530	9450	50
4VNBC2 50x10				4	4500	13700	63
6VNBC2 50x10				6	6400	18800	94
3VNBC2 50x12		12	7.938	3	4560	11200	50
4VNBC2 50x12				4	5840	15100	63
3VNBC2 50x20				20	7.938	3	4560
4VNBC2 63x6	63	6	3.969	4	2660	10800	75
6VNBC2 63x6				6	3770	17000	113
4VNBC2 63x8		8	5.556	4	3540	13200	77
6VNBC2 63x8				6	4890	19020	114
4VNBC2 63x10		10	6.35	4	5070	17900	79
6VNBC2 63x10				6	7180	24900	115
4VNBC2 63x12		12	7.938	4	6640	20100	78
6VNBC2 63x12				6	9490	30600	113
3VNBC2 63x20		20	9.525	3	8530	23650	75
4VNBC2 80x10		80	10	6.35	4	5740	22200
6VNBC2 80x10	6				8120	32500	140
4VNBC2 80x12	12		7.938	4	7550	26120	97
6VNBC2 80x12				6	10700	39200	141
3VNBC2 80x16	16		9.525	3	7500	27450	95
4VNBC2 80x16				4	12850	42600	130
3VNBC2 80x20	20		9.525	3	9800	31900	95
4VNBC2 80x20				4	12850	42600	125
4VNBC2 100x10	100	10	6.35	4	6800	31300	113
6VNBC2 100x10				6	8780	40700	170
4VNBC2 100x12		12	7.938	4	8560	40400	105
6VNBC2 100x12				6	12000	50600	175
4VNBC2 100x16		16	9.525	4	10800	46600	107
6VNBC2 100x16				6	15300	69900	140
3VNBC2 100x20		20	9.525	3	12020	41100	112
4VNBC2 100x20				4	14100	54600	150



Nakrętka				Oznaczenie
D1	L	d	b * t * l	
75	65	4	6 * 3.5 * 28	3VNBC2 50x10
	76			4VNBC2 50x10
	97			6VNBC2 50x10
75	74	4	6 * 3.5 * 32	3VNBC2 50x12
	87			4VNBC2 50x12
75	112	4	6 * 3.5 * 32	3VNBC2 50x20
90	53	5	8 * 4 * 28	4VNBC2 63x6
	65			6VNBC2 63x6
90	64	5	8 * 4 * 28	4VNBC2 63x8
	81			6VNBC2 63x8
90	76	5	8 * 4 * 28	4VNBC2 63x10
	97			6VNBC2 63x10
90	87	5	8 * 4 * 32	4VNBC2 63x12
	112			6VNBC2 63x12
95	112	5	8 * 4 * 50	3VNBC2 63x20
105	76	5	10 * 4.5 * 28	4VNBC2 80x10
	97			6VNBC2 80x10
105	87	5	10 * 4.5 * 32	4VNBC2 80x12
	112			6VNBC2 80x12
125	98	5	10 * 4.5 * 40	3VNBC2 80x16
	110			4VNBC2 80x16
125	112	5	10 * 4.5 * 50	3VNBC2 80x20
	133			4VNBC2 80x20
125	76	5	10 * 4.5 * 28	4VNBC2 100x10
	97			6VNBC2 100x10
130	87	5	10 * 4.5 * 32	4VNBC2 100x12
	112			6VNBC2 100x12
140	110	5	10 * 4.5 * 40	4VNBC2 100x16
	144			6VNBC2 100x16
150	112	5	10 * 4.5 * 50	3VNBC2 100x20
	133			4VNBC2 100x20

$i = 6$ dla $d_0 \leq 32$; $i = 8$ dla $d_0 > 32$