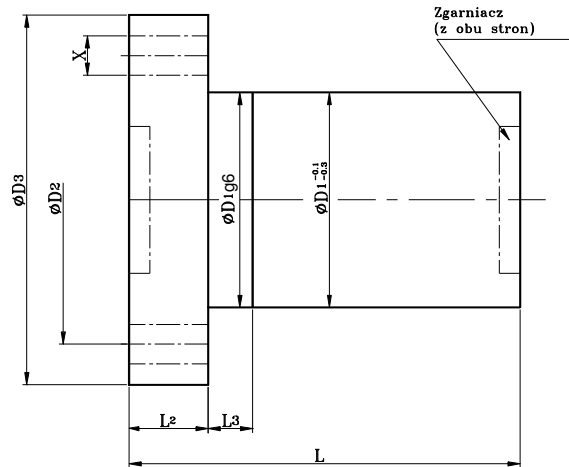
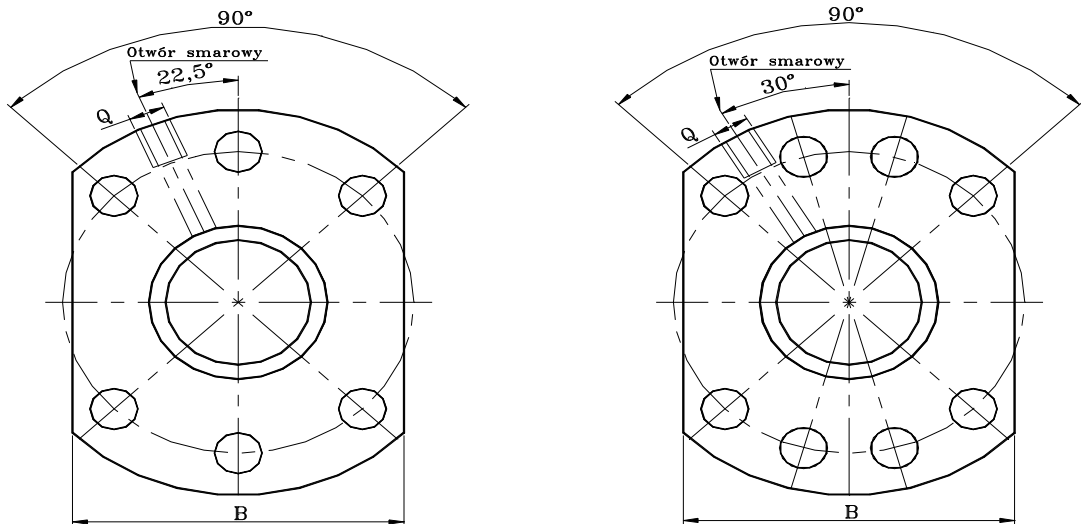


Typ K1



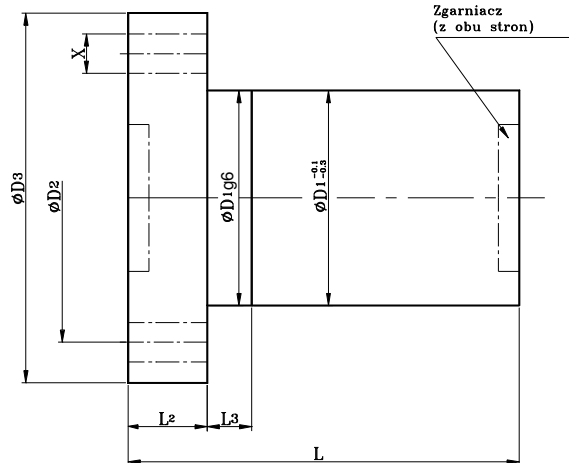
Oznaczenie	Wymiary gwintu		Średnica kulki D_k	Liczba Obiegów	Nośność dynam. C [daN]	Nośność statycz. C_0 [daN]	Max. luz osiowy [mm]	
	Średnica podział. d_0	Skok p						
3VNBK1 16x5	16	5	3.175	3	740	1250	0.02	
3VNBK1 20x5	20	5	3.175	3	900	1780		
4VNBK1 20x5				4	1140	2390		
3VNBK1 25x5	25	5	3.175	3	1100	2350		
4VNBK1 25x5				4	1290	3200		
3VNBK1 25x6		6	3.969	3	1320	2820		
4VNBK1 25x6				4	1680	3810		
3VNBK1 25x10		10	3.969	3	1650	3260		
3VNBK1 32x5		32	5	3.175	3	1140		3250
4VNBK1 32x5	4				1470	4240		
6VNBK1 32x5	6				2100	6400		
3VNBK1 32x6	6		3.969	3	1550	3890		
4VNBK1 32x6				4	1950	5800		
6VNBK1 32x6				6	2770	7900		
3VNBK1 32x8	8		5.556	3	1890	4340		
4VNBK1 32x8				4	2380	5680		
3VNBK1 32x10	10		6.35	3	2680	5490		
4VNBK1 32x10				4	3470	7180		
4VNBK1 40x5	40		5	3.175	4	1640		5380
6VNBK1 40x5					6	2330		8020
4VNBK1 40x6		6	3.969	4	2170	6670		
6VNBK1 40x6				6	3070	9700		
4VNBK1 40x8		8	5.556	4	2760	7900		
6VNBK1 40x8				6	3990	12600		
3VNBK1 40x10		10	6.35	3	3100	7270		
4VNBK1 40x10				4	3970	9650		
3VNBK1 40x12		12	6.35	3	3100	7270		
4VNBK1 50x5		50	5	3.175	4	1780		7200
6VNBK1 50x5	6				2530	11400		
4VNBK1 50x6	6		3.969	4	2450	8370		
6VNBK1 50x6				6	3480	13100		
4VNBK1 50x8	8		5.556	4	3100	9650		
6VNBK1 50x8				6	4350	14450		

$i = 6$ dla $d_0 \leq 32$; $i = 8$ dla $d_0 > 32$

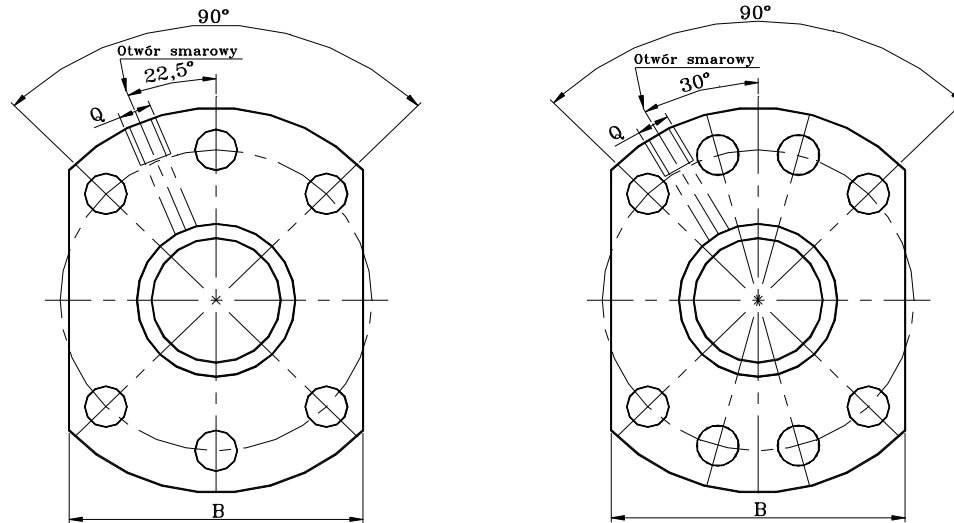


Nakrętka									Oznaczenie
D1	D2	D3	L	L2	L3	i * X	B	Q	
36	47	58	43	10	10	6.6	44	M6	3VNBK1 16x5
36	47	58	43	10	10	6.6	44	M6	3VNBK1 20x5
			48						4VNBK1 20x5
40	51	62	44	10	10	6.6	48	M6	3VNBK1 25x5
			49						4VNBK1 25x5
40	51	62	49	10	12	6.6	48	M6	3VNBK1 25x6
			55						4VNBK1 25x6
40	51	62	66	10	12	6.6	48	M6	3VNBK1 25x10
50	65	80	46	12	10	9	62	M6	3VNBK1 32x5
			52						4VNBK1 32x5
			62						6VNBK1 32x5
50	65	80	51	12	12	9	62	M6	3VNBK1 32x6
			57						4VNBK1 32x6
			70						6VNBK1 32x6
50	65	80	60	12	14	9	62	M6	3VNBK1 32x8
			71						4VNBK1 32x8
50	65	80	69	12	16	9	62	M6	3VNBK1 32x10
			80						4VNBK1 32x10
63	78	93	55	14	10	9	70	M8x1	4VNBK1 40x5
			65						6VNBK1 40x5
63	78	93	61	14	12	9	70	M8x1	4VNBK1 40x6
			73						6VNBK1 40x6
63	78	93	72	14	14	9	70	M8x1	4VNBK1 40x8
			89						6VNBK1 40x8
63	78	93	72	14	16	9	70	M8x1	3VNBK1 40x10
			83						4VNBK1 40x10
63	78	93	81	14	16	9	70	M8x1	3VNBK1 40x12
75	93	110	57	16	10	11	85	M8x1	4VNBK1 50x5
			67						6VNBK1 50x5
75	93	110	63	16	12	11	85	M8x1	4VNBK1 50x6
			75						6VNBK1 50x6
75	93	110	74	16	14	11	85	M8x1	4VNBK1 50x8
			91						6VNBK1 50x8

Typ K1



Oznaczenie	Wymiary gwintu		Średnica kulki D_k	Liczba obiegów	Nośność dynam. C [daN]	Nośność statycz. C_0 [daN]	Max. luz osiowy [mm]
	Średnica podział. d_0	Skok p					
3VNBK1 50x10	50	10	6.35	3	3530	9450	0.02
4VNBK1 50x10				4	4500	13700	
6VNBK1 50x10				6	6400	18800	
3VNBK1 50x12		12	7.938	3	4560	11200	
4VNBK1 50x12				4	5840	15100	
3VNBK1 50x20				20	7.938	3	
4VNBK1 63x6	63	6	3.969	4	2660	10800	
6VNBK1 63x6				6	3770	17000	
4VNBK1 63x8		8	5.556	4	3540	13200	
6VNBK1 63x8				6	4890	19020	
4VNBK1 63x10		10	6.35	4	5070	17900	
6VNBK1 63x10				6	7180	24900	
4VNBK1 63x12		12	7.938	4	6640	20100	
6VNBK1 63x12				6	9490	30600	
3VNBK1 63x20		20	9.525	3	8530	23650	
4VNBK1 80x10		80	10	6.35	4	5740	
6VNBK1 80x10	6				8120	32500	
4VNBK1 80x12	12		7.938	4	7550	26120	
6VNBK1 80x12				6	10700	39200	
3VNBK1 80x16	16		9.525	3	7500	27450	
4VNBK1 80x16				4	12850	42600	
3VNBK1 80x20	20		9.525	3	9800	31900	
4VNBK1 80x20				4	12850	42600	
4VNBK1 100x10	100	10	6.35	4	6800	31300	
6VNBK1 100x10				6	8780	40700	
4VNBK1 100x12		12	7.938	4	8560	40400	
6VNBK1 100x12				6	12000	50600	
4VNBK1 100x16		16	9.525	4	10800	46600	
6VNBK1 100x16				6	15300	69900	
3VNBK1 100x20		20	9.525	3	12020	41100	
4VNBK1 100x20				4	14100	54600	



Nakrętka									Oznaczenie
D1	D2	D3	L	L2	L3	i * X	B	Q	
75	93	110	74	16	16	11	85	M8x1	3VNBK1 50x10
			85						4VNBK1 50x10
			106						6VNBK1 50x10
75	93	110	84	16	18	11	85	M8x1	3VNBK1 50x12
			97						4VNBK1 50x12
75	93	110	118	16	20	11	85	M8x1	3VNBK1 50x20
90	108	125	65	18	12	11	95	M8x1	4VNBK1 63x6
			77						6VNBK1 63x6
90	108	125	76	18	14	11	95	M8x1	4VNBK1 63x8
			93						6VNBK1 63x8
90	108	125	87	18	16	11	95	M8x1	4VNBK1 63x10
			108						6VNBK1 63x10
90	108	125	99	18	18	11	95	M8x1	4VNBK1 63x12
			124						6VNBK1 63x12
95	115	135	122	20	25	13.5	100	M8x1	3VNBK1 63x20
105	125	145	89	20	16	13.5	110	M8x1	4VNBK1 80x10
			110						6VNBK1 80x10
105	125	145	101	20	18	13.5	110	M8x1	4VNBK1 80x12
			126						6VNBK1 80x12
125	145	165	117	25	22	13.5	130	M8x1	3VNBK1 80x16
			129						4VNBK1 80x16
125	145	165	129	25	25	13.5	130	M8x1	3VNBK1 80x20
			151						4VNBK1 80x20
125	145	165	90	22	16	13.5	130	M8x1	4VNBK1 100x10
			111						6VNBK1 100x10
130	150	170	103	22	18	13.5	130	M8x1	4VNBK1 100x12
			128						6VNBK1 100x12
140	166	192	130	26	22	17.5	145	M8x1	4VNBK1 100x16
			163						6VNBK1 100x16
150	176	202	130	26	25	17.5	155	M8x1	3VNBK1 100x20
			152						4VNBK1 100x20

$i = 6$ dla $d_0 \leq 32$; $i = 8$ dla $d_0 > 32$