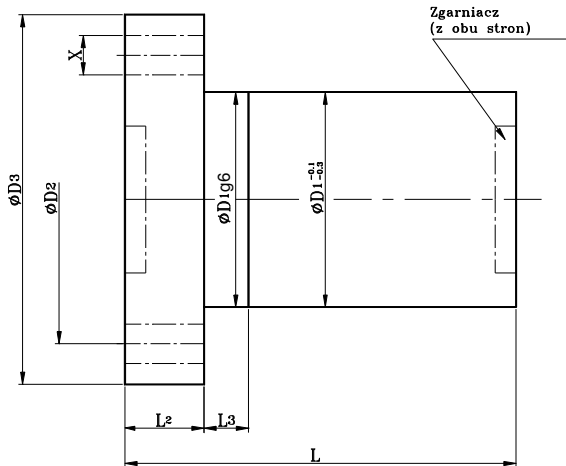
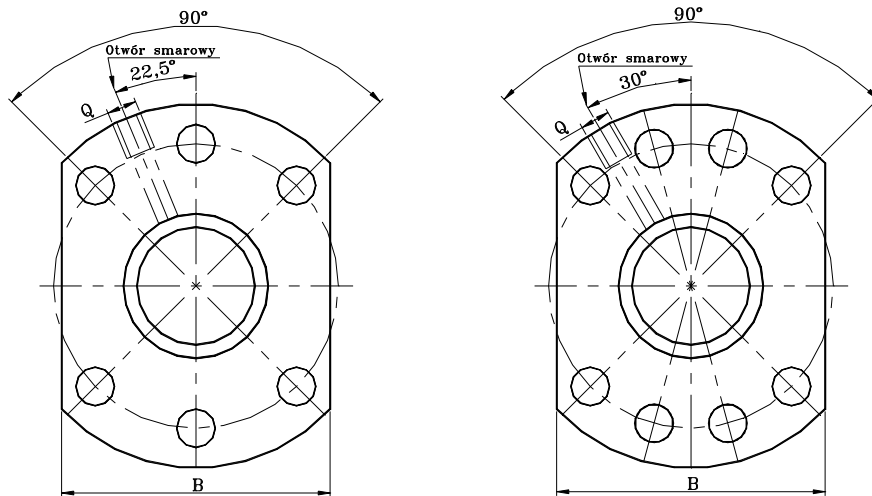


Typ K2



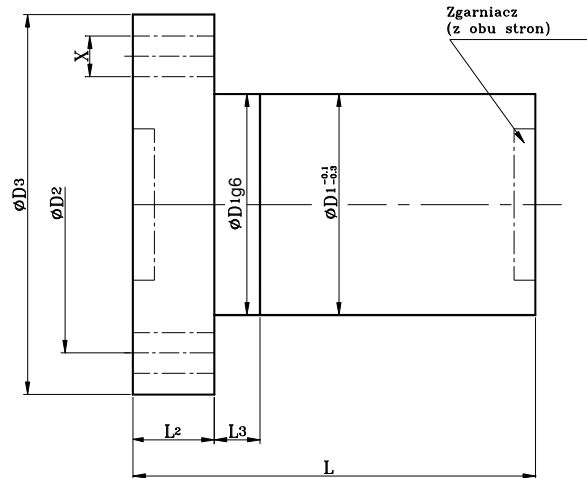
Oznaczenie	Wymiary gwintu		Średnica Kulki D_k	Liczba obrotów	Nośność dynam. C [daN]	Nośność statycz. C_0 [daN]	Szywność R [daN/ μ m]
	Średnica podział. d_0	Skok p					
3VNBK2 16x5	16	5	3.175	3	740	1250	11
3VNBK2 20x5	20	5	3.175	3	900	1780	20
4VNBK2 20x5				4	1140	2390	27
3VNBK2 25x5	25	5	3.175	3	1100	2350	28
4VNBK2 25x5				4	1290	3200	37
3VNBK2 25x6		6	3.969	3	1320	2820	28
4VNBK2 25x6				4	1680	3810	37
3VNBK2 25x10	10	3.969	3	1650	3260	25	
3VNBK2 32x5	32	5	3.175	3	1140	3250	33
4VNBK2 32x5				4	1470	4240	42
6VNBK2 32x5				6	2100	6400	63
3VNBK2 32x6		6	3.969	3	1550	3890	33
4VNBK2 32x6				4	1950	5800	43
6VNBK2 32x6				6	2770	7900	65
3VNBK2 32x8		8	5.556	3	1890	4340	35
4VNBK2 32x8				4	2380	5680	47
3VNBK2 32x10		10	6.35	3	2680	5490	35
4VNBK2 32x10				4	3470	7180	48
4VNBK2 40x5	40	5	3.175	4	1640	5380	50
6VNBK2 40x5				6	2330	8020	74
4VNBK2 40x6		6	3.969	4	2170	6670	50
6VNBK2 40x6				6	3070	9700	74
4VNBK2 40x8		8	5.556	4	2760	7900	52
6VNBK2 40x8				6	3990	12600	76
3VNBK2 40x10		10	6.35	3	3100	7270	40
4VNBK2 40x10				4	3970	9650	51
3VNBK2 40x12		12	6.35	3	3100	7270	40
4VNBK2 50x5		50	5	3.175	4	1780	7200
6VNBK2 50x5	6				2530	11400	91
4VNBK2 50x6	6		3.969	4	2450	8370	62
6VNBK2 50x6				6	3480	13100	93
4VNBK2 50x8	8		5.556	4	3100	9650	62
6VNBK2 50x8				6	4350	14450	92



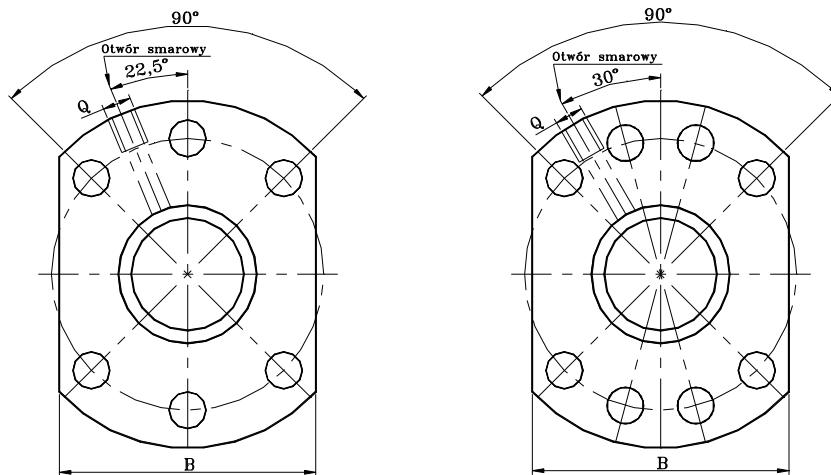
Nakrętka									Oznaczenie
D1	D2	D3	L	L2	L3	i * X	B	Q	
36	47	58	43	10	10	6.6	44	M6	3VNBK2 16x5
36	47	58	43	10	10	6.6	44	M6	3VNBK2 20x5
			48						4VNBK2 20x5
40	51	62	44	10	10	6.6	48	M6	3VNBK2 25x5
			49						4VNBK2 25x5
40	51	62	49	10	12	6.6	48	M6	3VNBK2 25x6
			55						4VNBK2 25x6
40	51	62	66	10	12	6.6	48	M6	3VNBK2 25x10
50	65	80	46	12	10	9	62	M6	3VNBK2 32x5
			52						4VNBK2 32x5
			62						6VNBK2 32x5
50	65	80	51	12	12	9	62	M6	3VNBK2 32x6
			57						4VNBK2 32x6
			70						6VNBK2 32x6
50	65	80	60	12	14	9	62	M6	3VNBK2 32x8
			71						4VNBK2 32x8
50	65	80	69	12	16	9	62	M6	3VNBK2 32x10
			80						4VNBK2 32x10
63	78	93	55	14	10	9	70	M8x1	4VNBK2 40x5
			65						6VNBK2 40x5
63	78	93	61	14	12	9	70	M8x1	4VNBK2 40x6
			73						6VNBK2 40x6
63	78	93	72	14	14	9	70	M8x1	4VNBK2 40x8
			89						6VNBK2 40x8
63	78	93	72	14	16	9	70	M8x1	3VNBK2 40x10
			83						4VNBK2 40x10
63	78	93	81	14	16	9	70	M8x1	3VNBK2 40x12
75	93	110	57	16	10	11	85	M8x1	4VNBK2 50x5
			67						6VNBK2 50x5
75	93	110	63	16	12	11	85	M8x1	4VNBK2 50x6
			75						6VNBK2 50x6
75	93	110	74	16	14	11	85	M8x1	4VNBK2 50x8
			91						6VNBK2 50x8

$i = 6$ dla $d_0 \leq 32$; $i = 8$ dla $d_0 > 32$

Typ K2



Oznaczenie	Wymiary gwintu		Średnica kulki D_k	Liczba obiegów	Nośność dynam. C [daN]	Nośność statycz. C_0 [daN]	Sztynność R [daN/ μ m]
	Średnica podział. d_0	Skok p					
3VNBK2 50x10	50	10	6.35	3	3530	9450	50
4VNBK2 50x10				4	4500	13700	63
6VNBK2 50x10				6	6400	18800	94
3VNBK2 50x12		12	7.938	3	4560	11200	50
4VNBK2 50x12				4	5840	15100	63
3VNBK2 50x20				20	7.938	3	4560
4VNBK2 63x6	63	6	3.969	4	2660	10800	75
6VNBK2 63x6				6	3770	17000	113
4VNBK2 63x8		8	5.556	4	3540	13200	77
6VNBK2 63x8				6	4890	19020	114
4VNBK2 63x10		10	6.35	4	5070	17900	79
6VNBK2 63x10				6	7180	24900	115
4VNBK2 63x12		12	7.938	4	6640	20100	78
6VNBK2 63x12				6	9490	30600	113
3VNBK2 63x20		20	7.938	3	8530	23650	75
4VNBK2 80x10		80	10	6.35	4	5740	22200
6VNBK2 80x10	6				8120	32500	140
4VNBK2 80x12	12		7.938	4	7550	26120	97
6VNBK2 80x12				6	10700	39200	141
3VNBK2 80x16	16		9.525	3	7500	27450	95
4VNBK2 80x16				4	12850	42600	130
3VNBK2 80x20	20		9.525	3	9800	31900	95
4VNBK2 80x20				4	12850	42600	125
4VNBK2 100x10	100	10	6.35	4	6800	31300	113
6VNBK2 100x10				6	8780	40700	170
4VNBK2 100x12		12	7.938	4	8560	40400	105
6VNBK2 100x12				6	12000	50600	175
4VNBK2 100x16		16	9.525	4	10800	46600	107
6VNBK2 100x16				6	15300	69900	140
3VNBK2 100x20		20	9.525	3	12020	41100	112
4VNBK2 100x20				4	14100	54600	150



Nakrętka									Oznaczenie
D1	D2	D3	L	L2	L3	i * X	B	Q	
75	93	110	74	16	16	11	85	M8x1	3VNBK2 50x10
			85						4VNBK2 50x10
			106						6VNBK2 50x10
75	93	110	84	16	18	11	85	M8x1	3VNBK2 50x12
			97						4VNBK2 50x12
75	93	110	118	16	20	11	85	M8x1	3VNBK2 50x20
90	108	125	65	18	12	11	95	M8x1	4VNBK2 63x6
			77						6VNBK2 63x6
90	108	125	76	18	14	11	95	M8x1	4VNBK2 63x8
			93						6VNBK2 63x8
90	108	125	87	18	16	11	95	M8x1	4VNBK2 63x10
			108						6VNBK2 63x10
90	108	125	99	18	18	11	95	M8x1	4VNBK2 63x12
			124						6VNBK2 63x12
95	115	135	122	20	25	13.5	100	M8x1	3VNBK2 63x20
105	125	145	89	20	16	13.5	110	M8x1	4VNBK2 80x10
			110						6VNBK2 80x10
105	125	145	101	20	18	13.5	110	M8x1	4VNBK2 80x12
			126						6VNBK2 80x12
125	145	165	117	25	22	13.5	130	M8x1	3VNBK2 80x16
			129						4VNBK2 80x16
125	145	165	129	25	25	13.5	130	M8x1	3VNBK2 80x20
			151						4VNBK2 80x20
125	145	165	90	22	16	13.5	130	M8x1	4VNBK2 100x10
			111						6VNBK2 100x10
130	150	170	103	22	18	13.5	130	M8x1	4VNBK2 100x12
			128						6VNBK2 100x12
140	166	192	130	26	22	17.5	145	M8x1	4VNBK2 100x16
			163						6VNBK2 100x16
150	176	202	130	26	25	17.5	155	M8x1	3VNBK2 100x20
			152						4VNBK2 100x20

$i = 6$ dla $d_0 \leq 32$; $i = 8$ dla $d_0 > 32$