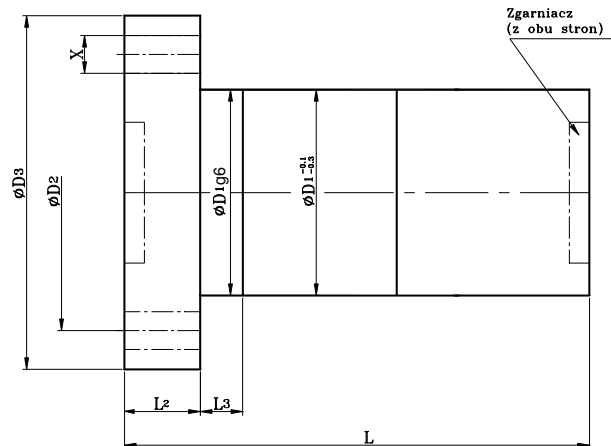
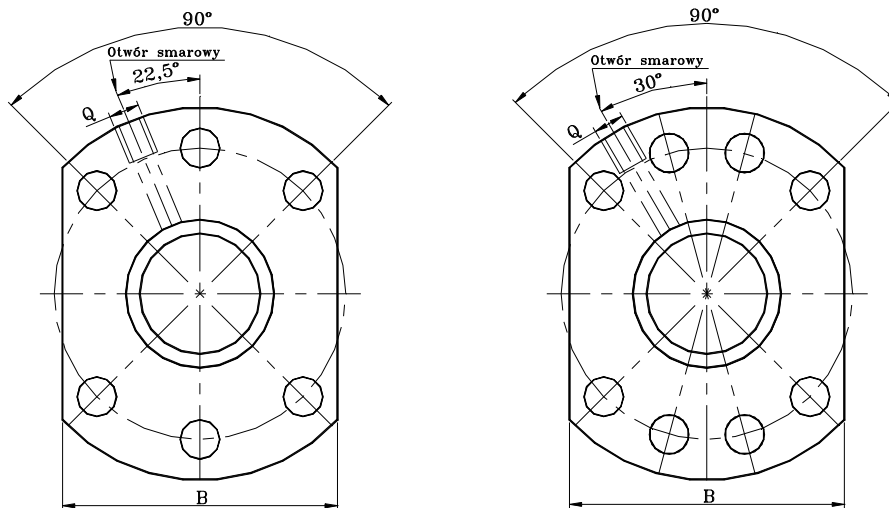


Typ K3



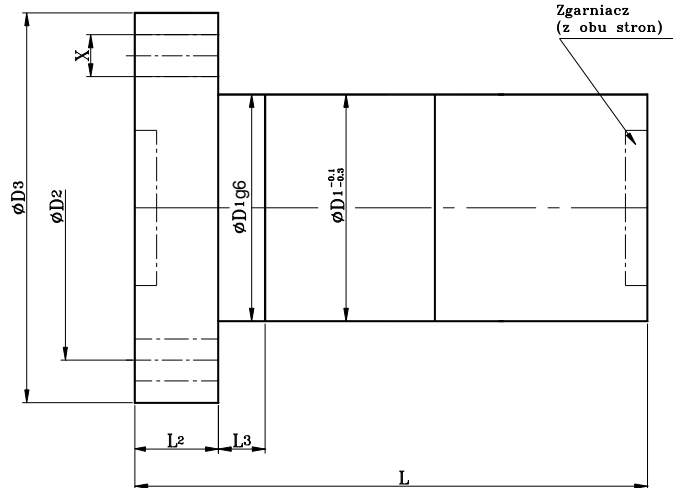
Oznaczenie	Wymiary gwintu		Średnica kulki D_k	Liczba obiegów	Nośność dynam. C [daN]	Nośność statycz. C_0 [daN]	Sztynność R [daN/ μ m]	
	Średnica podział. d_0	Skok p						
3VNBK3 16x5	16	5	3.175	3	740	1250	20	
3VNBK3 20x5	20	5	3.175	3	900	1780	39	
4VNBK3 20x5				4	1140	2390	52	
3VNBK3 25x5	25	5	3.175	3	1100	2350	49	
4VNBK3 25x5				4	1290	3200	64	
3VNBK3 25x6		6	3.969	3	1320	2820	48	
4VNBK3 25x6				4	1680	3810	64	
3VNBK3 25x10		10	3.969	3	1650	3260	49	
3VNBK3 32x5		32	5	3.175	3	1140	3250	61
4VNBK3 32x5	4				1470	4240	80	
6VNBK3 32x5	6				2100	6400	118	
3VNBK3 32x6	6		3.969	3	1550	3890	62	
4VNBK3 32x6				4	1950	5800	82	
6VNBK3 32x6				6	2770	7900	121	
3VNBK3 32x8	8		5.556	3	1890	4340	60	
4VNBK3 32x8				4	2380	5680	79	
3VNBK3 32x10	10		6.35	3	2680	5490	60	
4VNBK3 32x10				4	3470	7180	79	
4VNBK3 40x5	40		5	3.175	4	1640	5380	98
6VNBK3 40x5					6	2330	8020	144
4VNBK3 40x6		6	3.969	4	2170	6670	99	
6VNBK3 40x6				6	3070	9700	146	
4VNBK3 40x8		8	5.556	4	2760	7900	101	
6VNBK3 40x8				6	3990	12600	148	
3VNBK3 40x10		10	6.35	3	3100	7270	75	
4VNBK3 40x10				4	3970	9650	99	
3VNBK3 40x12		12	6.35	3	3100	7270	75	
4VNBK3 50x5		50	5	3.175	4	1780	7200	119
6VNBK3 50x5	6				2530	11400	175	
4VNBK3 50x6	6		3.969	4	2450	8370	121	
6VNBK3 50x6				6	3480	13100	178	
4VNBK3 50x8	8		5.556	4	3100	9650	121	
6VNBK3 50x8				6	4350	14450	177	



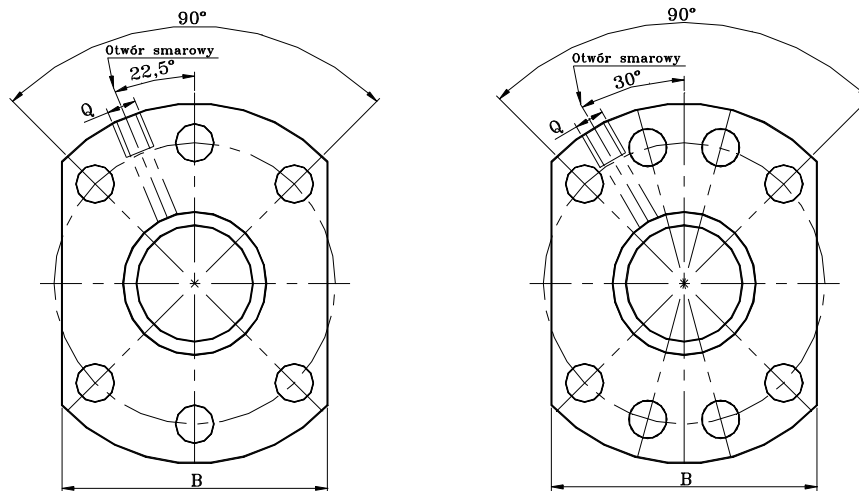
Nakrętka									Oznaczenie
D1	D2	D3	L	L2	L3	i * X	B	Q	
36	47	58	81	10	10	6.6	44	M6	3VNBK3 16x5
36	47	58	81	10	10	6.6	44	M6	3VNBK3 20x5
			91						4VNBK3 20x5
40	51	62	83	10	10	6.6	48	M6	3VNBK3 25x5
			93						4VNBK3 25x5
40	51	62	93	10	12	6.6	48	M6	3VNBK3 25x6
			106						4VNBK3 25x6
40	51	62	127	10	12	6.6	48	M6	3VNBK3 25x10
50	65	80	86	12	10	9	62	M6	3VNBK3 32x5
			97						4VNBK3 32x5
			118						6VNBK3 32x5
50	65	80	95	12	12	9	62	M6	3VNBK3 32x6
			108						4VNBK3 32x6
			133						6VNBK3 32x6
50	65	80	114	12	14	9	62	M6	3VNBK3 32x8
			133						4VNBK3 32x8
50	65	80	132	12	16	9	62	M6	3VNBK3 32x10
			154						4VNBK3 32x10
63	78	93	102	14	10	9	70	M8x1	4VNBK3 40x5
			123						6VNBK3 40x5
63	78	93	114	14	12	9	70	M8x1	4VNBK3 40x6
			138						6VNBK3 40x6
63	78	93	136	14	14	9	70	M8x1	4VNBK3 40x8
			170						6VNBK3 40x8
63	78	93	137	14	16	9	70	M8x1	3VNBK3 40x10
			159						4VNBK3 40x10
63	78	93	155	14	16	9	70	M8x1	3VNBK3 40x12
75	93	110	104	16	10	11	85	M8x1	4VNBK3 50x5
			125						6VNBK3 50x5
75	93	110	116	16	12	11	85	M8x1	4VNBK3 50x6
			140						6VNBK3 50x6
75	93	110	138	16	14	11	85	M8x1	4VNBK3 50x8
			172						6VNBK3 50x8

$i = 6$ dla $d_0 \leq 32$; $i = 8$ dla $d_0 > 32$

Typ K3



Oznaczenie	Wymiary gwintu		Średnica kulki D_k	Liczba obiegów	Nośność dynam. C [daN]	Nośność statycz. C_0 [daN]	Sztywność R [daN/ μ m]
	Średnica podział. d_0	Skok p					
3VNBK3 50x10	50	10	6.35	3	3530	9450	93
4VNBK3 50x10				4	4500	13700	122
6VNBK3 50x10				6	6400	18800	180
3VNBK3 50x12		12	7.938	3	4560	11200	92
4VNBK3 50x12				4	5840	15100	122
3VNBK3 50x20				20	7.938	3	4560
4VNBK3 63x6	63	6	3.969	4	2660	10800	146
6VNBK3 63x6				6	3770	17000	215
4VNBK3 63x8		8	5.556	4	3540	13200	149
6VNBK3 63x8				6	4890	19020	220
4VNBK3 63x10		10	6.35	4	5070	17900	154
6VNBK3 63x10				6	7180	24900	226
4VNBK3 63x12		12	7.938	4	6640	20100	151
6VNBK3 63x12				6	9490	30600	222
3VNBK3 63x20		20	7.938	3	8530	23650	147
4VNBK3 80x10		80	10	6.35	4	5740	22200
6VNBK3 80x10	6				8120	32500	275
4VNBK3 80x12	12		7.938	4	7550	26120	189
6VNBK3 80x12				6	10700	39200	278
3VNBK3 80x16	16		9.525	3	7500	27450	187
4VNBK3 80x16				4	12850	42600	246
3VNBK3 80x20	20		9.525	3	9800	31900	187
4VNBK3 80x20				4	12850	42600	246
4VNBK3 100x10	100	10	6.35	4	6800	31300	217
6VNBK3 100x10				6	8780	40700	334
4VNBK3 100x12		12	7.938	4	8560	40400	206
6VNBK3 100x12				6	12000	50600	339
4VNBK3 100x16		16	9.525	4	10800	46600	212
6VNBK3 100x16				6	15300	69900	276
3VNBK3 100x20		20	9.525	3	12020	41100	213
4VNBK3 100x20				4	14100	54600	294



Nakrętka									Oznaczenie
D1	D2	D3	L	L2	L3	i * X	B	Q	
75	93	110	139	16	16	11	85	M8x1	3VNBK3 50x10
			161						4VNBK3 50x10
			203						6VNBK3 50x10
75	93	110	158	16	18	11	85	M8x1	3VNBK3 50x12
			184						4VNBK3 50x12
75	93	110	230	16	20	11	85	M8x1	3VNBK3 50x20
90	108	125	118	18	12	11	95	M8x1	4VNBK3 63x6
			142						6VNBK3 63x6
90	108	125	140	18	14	11	95	M8x1	4VNBK3 63x8
			174						6VNBK3 63x8
90	108	125	163	18	16	11	95	M8x1	4VNBK3 63x10
			205						6VNBK3 63x10
90	108	125	186	18	18	11	95	M8x1	4VNBK3 63x12
			236						6VNBK3 63x12
95	115	135	234	20	25	13.5	100	M8x1	3VNBK3 63x20
105	125	145	165	20	16	13.5	110	M8x1	4VNBK3 80x10
			207						6VNBK3 80x10
105	125	145	188	20	18	13.5	110	M8x1	4VNBK3 80x12
			238						6VNBK3 80x12
125	145	165	215	25	22	13.5	130	M8x1	3VNBK3 80x16
			239						4VNBK3 80x16
125	145	165	241	25	25	13.5	130	M8x1	3VNBK3 80x20
			284						4VNBK3 80x20
125	145	165	166	22	16	13.5	130	M8x1	4VNBK3 100x10
			208						6VNBK3 100x10
130	150	170	190	22	18	13.5	130	M8x1	4VNBK3 100x12
			240						6VNBK3 100x12
140	166	192	240	26	22	17.5	145	M8x1	4VNBK3 100x16
			307						6VNBK3 100x16
150	176	202	242	26	25	17.5	155	M8x1	3VNBK3 100x20
			285						4VNBK3 100x20

= 6 dla $d_0 \leq 32$; ; i = 8 dla $d_0 > 32$